

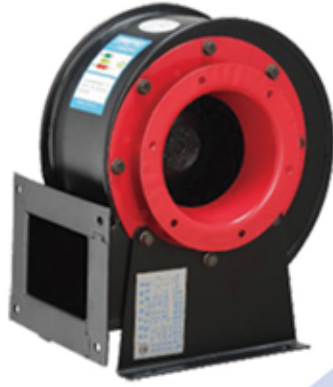
FZY300

CENTRIFUGAL FAN



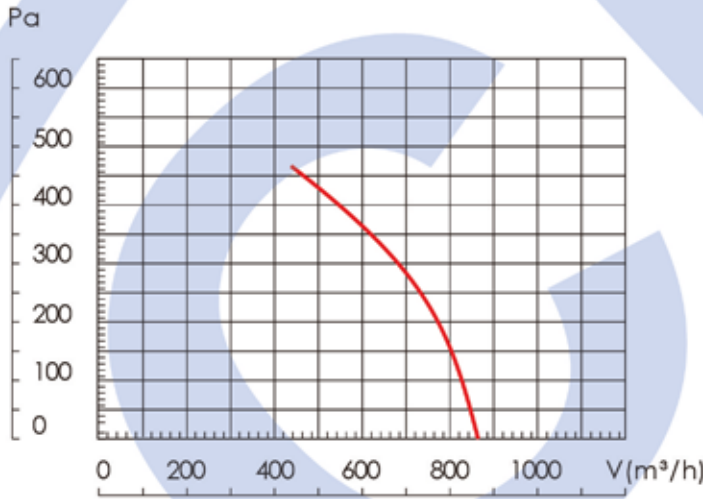
FZY150

CENTRIFUGAL FAN



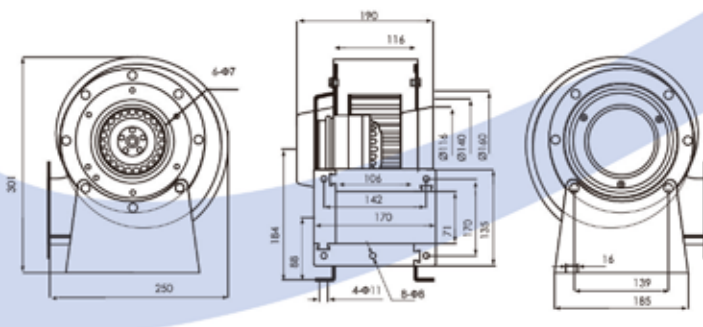
SPECIFICATION		CF-FZY1.5#-XY
Air Flow	m ³ /h	630
Power	W	240
Rated Current	A	118
Speed	RPM	2650
Pressure	Pa	480
Noise	dB(A)	70
Power Supply	V	220
Frequency	Hz	50

PERFORMANCE CURVE CF-FZY1.5#-XY



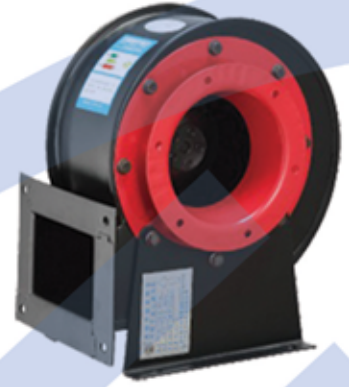
CF-FZY1.5#-XY

DIMENSION CF-FZY1.5#-XY



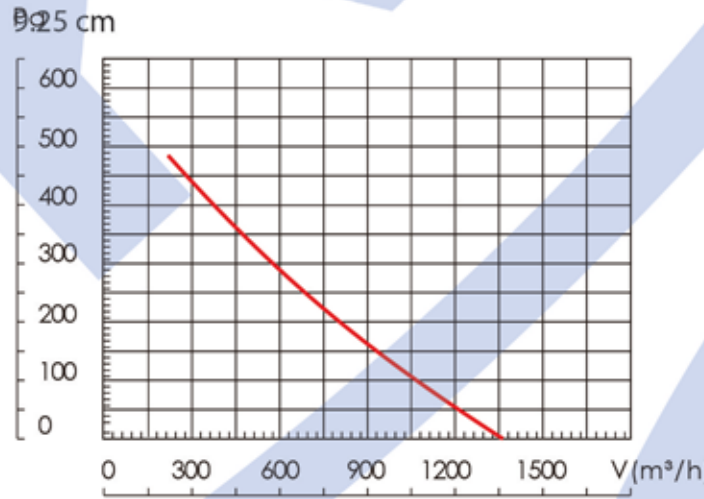
FZY200

CENTRIFUGAL FAN



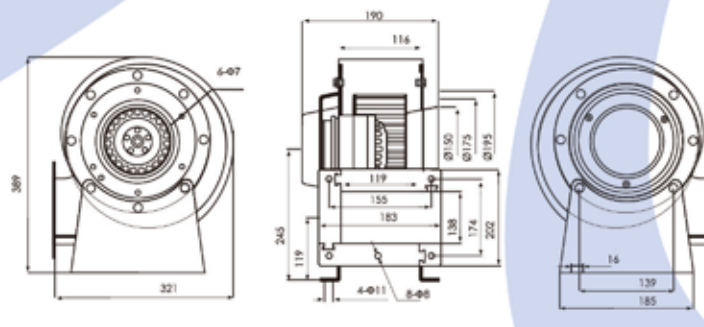
SPECIFICATION		CF-FZY2#-XY
Air Flow	m ³ /h	1380
Power	W	235
Rated Current	A	1.21
Speed	RPM	1450
Pressure	Pa	490
Noise	dB(A)	62
Power Supply	V	220
Frequency	Hz	50

PERFORMANCE CURVE CF-FZY2#-XY



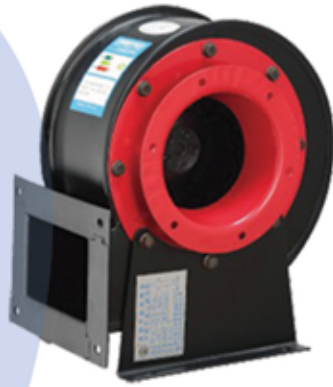
CF-FZY2#-XY

DIMENSION CF-FZY2#-XY



FZY250

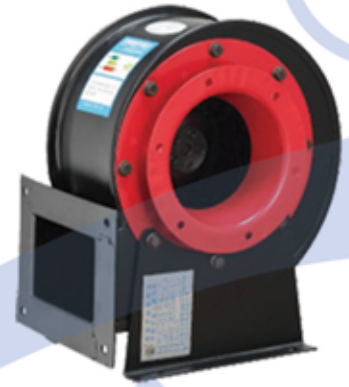
CENTRIFUGAL FAN



SPECIFICATION		CF-FZY2.5#-XY
Air Flow	m ³ /h	2100
Power	W	480
Rated Current	A	2.31
Speed	RPM	1450
Pressure	Pa	550
Noise	dB(A)	65
Power Supply	V	220
Frequency	Hz	50

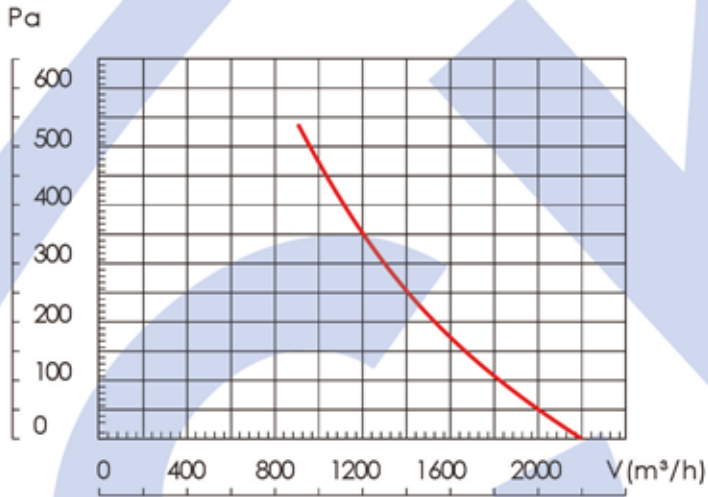
FZY300

CENTRIFUGAL FAN



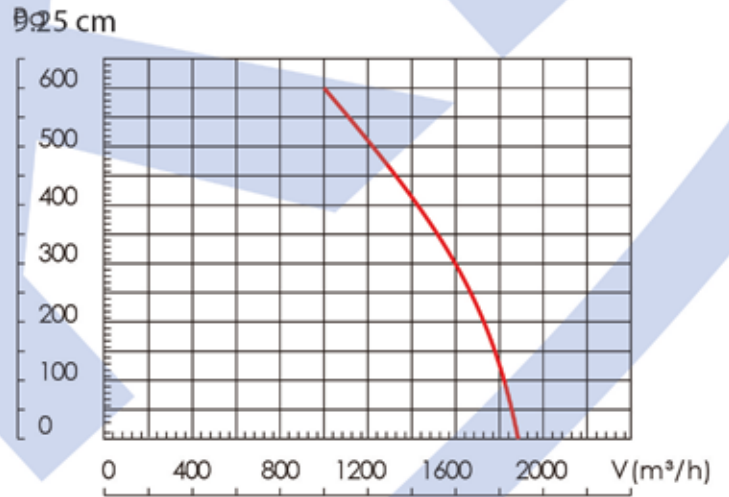
SPECIFICATION		CF-FZY3#-XY
Air Flow	m ³ /h	3050
Power	W	830
Rated Current	A	3.91
Speed	RPM	1450
Pressure	Pa	620
Noise	dB(A)	68
Power Supply	V	220
Frequency	Hz	50

PERFORMANCE CURVE CF-FZY2.5#-XY



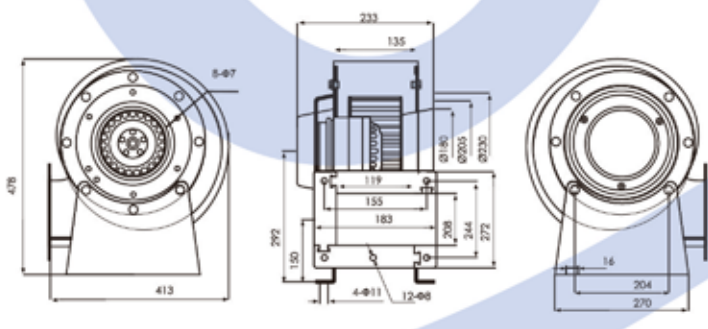
CF-FZY2.5#-XY

PERFORMANCE CURVE CF-FZY3#-XY

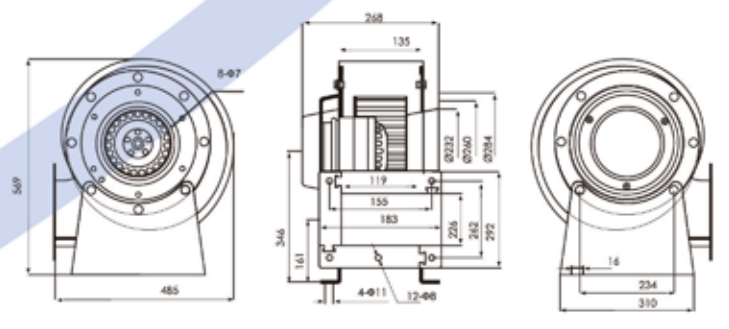


CF-FZY3#-XY

DIMENSION CF-FZY2.5#-XY



DIMENSION CF-FZY2#-XY





Contact Us